



## Technical Note

---

Inish Mini-Bar

## Introduction

### Overview of INISH MINI-BAR product

INISH MINI-BAR is a new low-cost, portable, rapid diagnostic device for fast and reliable counting of bacteria in beer directly from the tap. INISH MINI-BAR enables easy continuous monitoring of beer for contamination. At present, breweries have no control over the quality of draught beer delivered to their customers as the existing agar plate culture test is too time-consuming to be adopted as part of routine quality control programs while ATP luminometer test does not directly count bacteria.



Quick	Portable	Accurate	Reproducible	Low cost	Easy to use
✓	✓	✓	✓	✓	✓
⋮		⋮	⋮		⋮
Can analyse 5,000 cells/ second, <b>no preparation</b> needed		>80% accurate	>80% <b>repeatable</b>		Simple interface with traffic light system and connectivity for data download

**INISH MINI-BAR Device Specification**

**Performance Specifications**

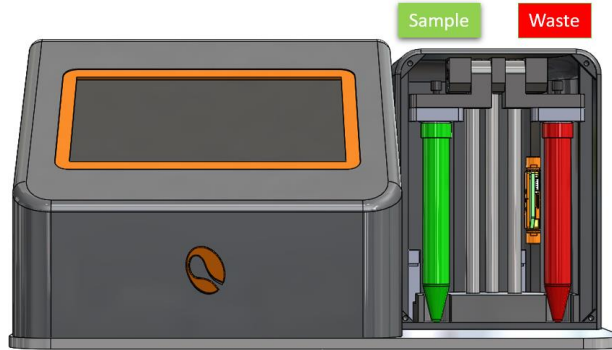
<b>General specifications</b>	<ul style="list-style-type: none"> <li>• Easy sample preparation: consumable tubes provided for sample analysis and instrument rinsing</li> <li>• Portable</li> <li>• Provides analysis in minutes</li> <li>• User friendly software</li> <li>• Options to save analysis results to external PC / USB drive</li> </ul>
<b>Sample</b>	Beer - no line rinsing required
<b>Operating modes</b>	Bacteria counting and yeast counting (can be executed at the same time)
<b>Measurement time</b>	10 min (includes sample degassing)
<b>Bacteria Counting:</b>	5,000 cells/ml- 100,000 cells/ml
<b>Bacteria Counting precision:</b>	CV 5%
<b>Bacteria Counting accuracy:</b>	Different for ranges: 5,000-20,000; 20,000- 100,000



**Operating Specification**

**Sample Volume** Up to 11mL

**Sample Layout**



**Sample Tube:** 15mL Centrifuge Tube

**Waste Tube:** 15mL Centrifuge Tube

**Sample analysis** 2 minutes

**Rinsing cycle time** 1 minute

**Technical Specifications**

**Power options** 12V, Battery powered with charging option. Charging power supply provided.

**LCD touch screen** 7 inch, resolution 800x600 pixels with capacitive touch screen

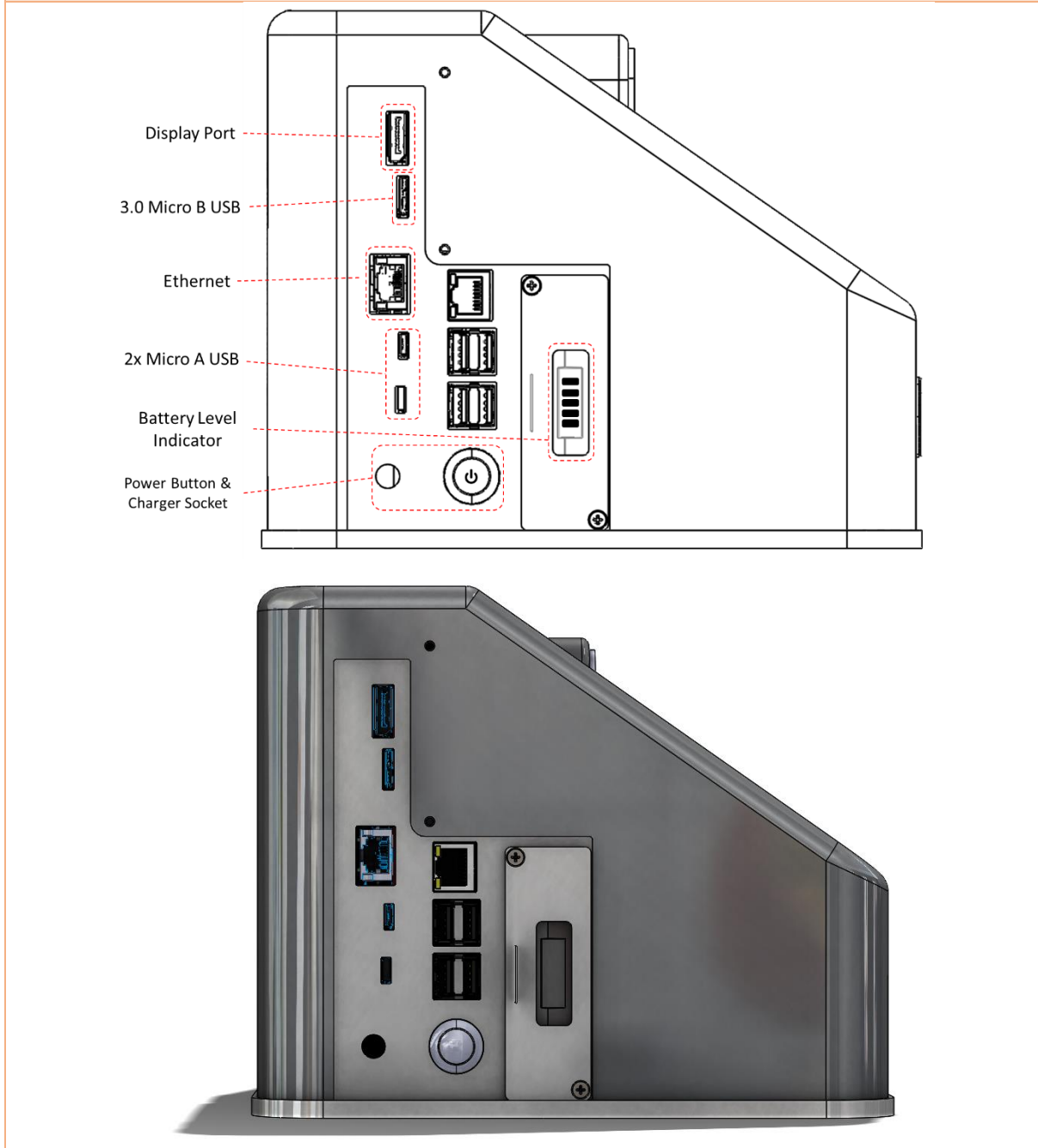
**External interfaces** Ethernet and USB 3.0 (see additional below)

**Weight** 5 kg

**Size** 220mm x 345mm x 179mm

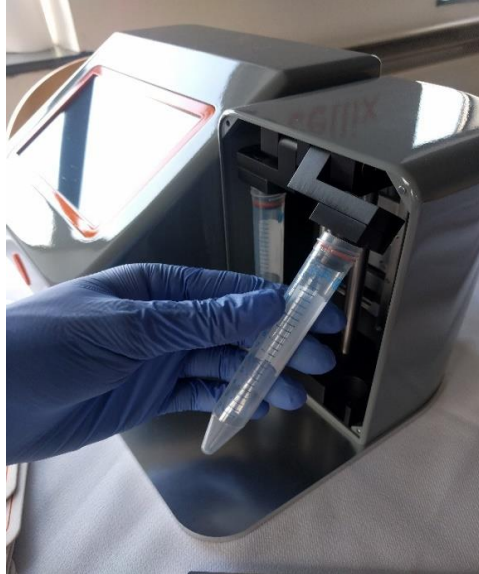
### Additional Specifications

#### External Connections

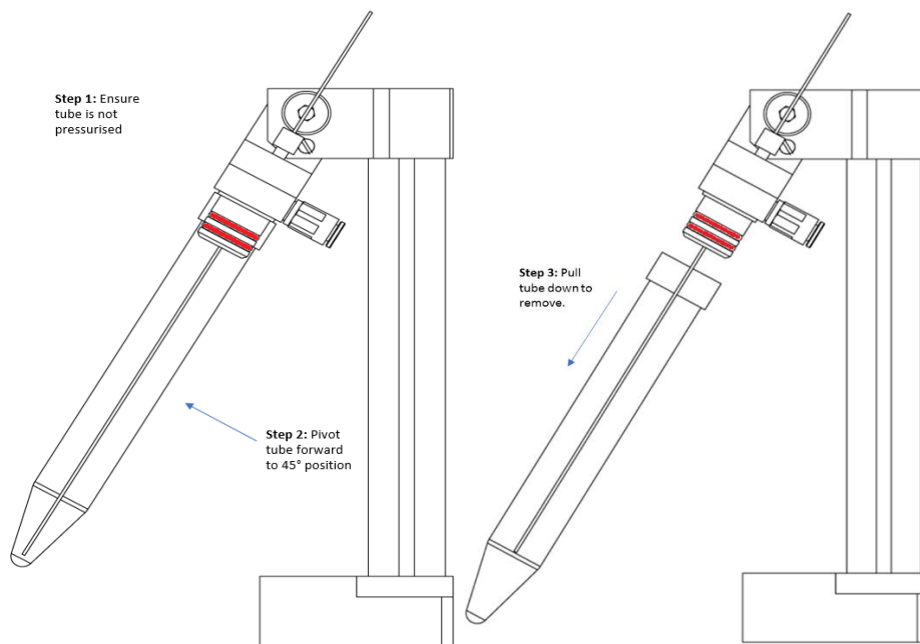


**Additional Specifications**

**Sample Changeout**



*Figure 1: Replacement of Waste Tube*



**Additional Specifications**

**External Dimensions**

